

Assembly aids

Templates

Knock-in tool



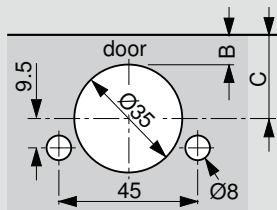
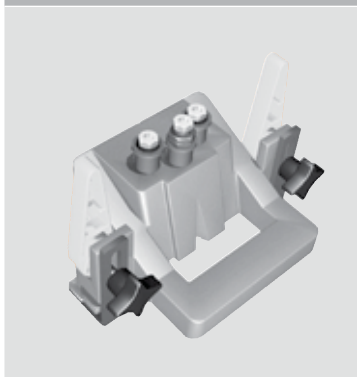
Can be used to insert all Blum press-in hinges

Part no.

Knock-in tool

ZME.0710

ECODRILL



- Simple device for boring Blum hinge pattern
- Driven by electric/cordless drill (18v or higher)
- Boring distance adjusts from 2 mm to 8 mm
- Clamps to various door thicknesses up to 40 mm
- Includes drill bits (pre-installed) and two Torx bits

ECODRILL

M31.1000

Accessories

Replacement Ø35 mm bit

M31.ZB35.02

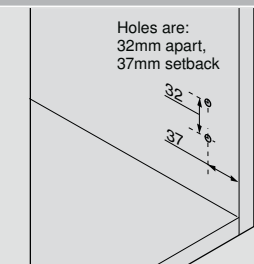
Replacement Ø8 mm bit

M31.ZB08.02

Tool set

MZW.1300

ECOJIG



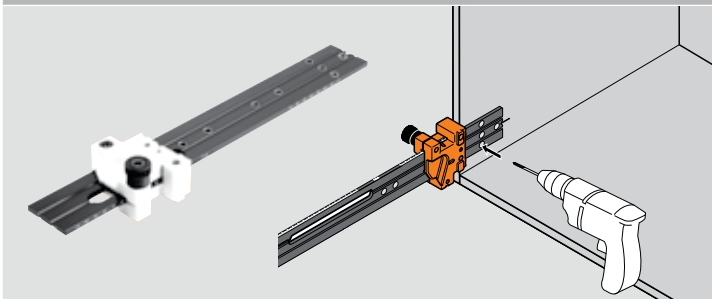
- Used to bore Ø5 mm holes for mounting plates that are mounted with system screws, EXPANDO dowels or INSERTA
- Also can be used to pre-bore Ø5 mm holes for EXPANDO BLUMOTION adapters
- Ø5 mm stop collar included

Part no.

ECOJIG

65.5070

Universal individual template



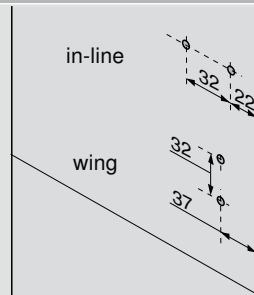
- For pre-boring mounting plates
- Also used for marking and pre-boring cabinet profiles, BLUMOTION, TIP-ON adapter plates and AVENTOS locating pins
- Calibrated scale for accurate setting

Part no.

Universal individual template

65.1051.01

Mounting plate template



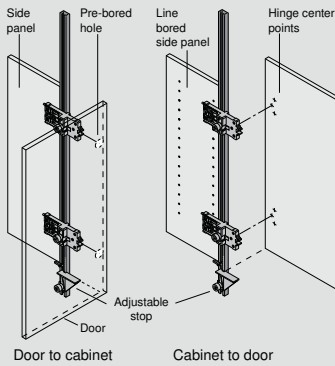
- Use with CLIP mounting plates on overlay applications on panel cabinets
- For wing mounting plates (37 mm setback) and in-line mounting plates (22 mm setback)
- Simple location of mounting plate screw positions
- Pilot bore Ø2.5 mm holes for wood screws

Part no.

Mounting plate template

65.5310

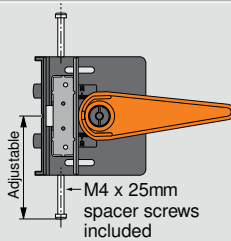
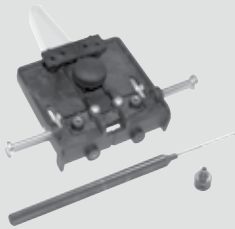
QUICKFIX



- Locates and matches positions of hinges and plates on cabinets and doors
- Transfer positions from door-to-cabinet and from cabinet-to-door
- Adjustable stop for various door overlays
- For use with wing or in-line mounting plates

	Part no.
QUICKFIX	65.7500.02
Accessories	
Additional CLIP template	65.7510.02
2.2 meter rail	65.7590
Ø5 mm drill bit	DB-5mm

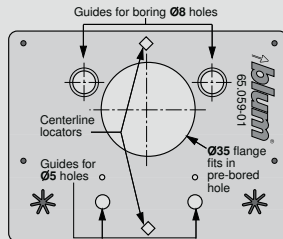
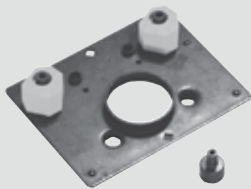
PLATEMATE



- Boring template for all Blum face frame adapter plates
- Clamps to the frame with cam lever
- Adjustment knob accommodates frame thickness of 5/8" to 1"
- Spacer screws permit quick use without measuring
- Includes 2.5 mm pilot bit and drill bit extension

	Part no.
PLATEMATE	65.5030.01

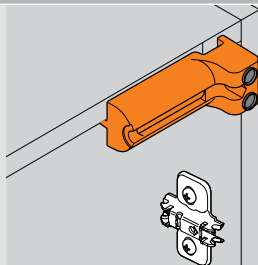
INSERTA boring template



- For boring Ø8 mm dowel holes after Ø35 mm hole is bored
- Boring distance adjusts from 2 mm to 8 mm
- Also bores Ø5 mm holes for system screw mounting plates
- Includes drill stop collar to pilot bore Ø2.5 mm for screw-on plates

	Part no.
INSERTA boring template	65.0590

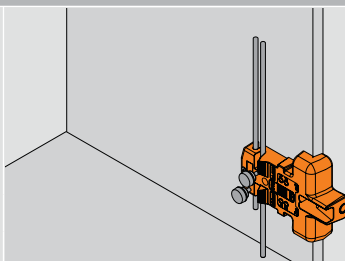
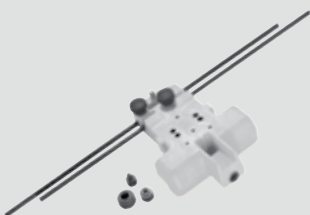
BLUMOTION for doors 970A boring template



- For pre-boring BLUMOTION 970A
- Ø10 mm drill bushing for edge boring
- Bores left and right side of cabinet
- Can also be used with TIP-ON for doors
- Includes Ø10 mm stop collar

	Part no.
BLUMOTION for doors 970A boring template	65.5010

BLUMOTION for doors boring template



- For pre-boring BLUMOTION adapters
- Ø10 mm drill bushing for panel edge boring
- Bores left and right side of cabinet
- Vertical guides for setting height
- Can be used to pre-bore for wing and in-line mounting plates
- Includes Ø10 mm, Ø5 mm and Ø2.5 mm stop collars

	Part no.
BLUMOTION for doors boring template	65.5000