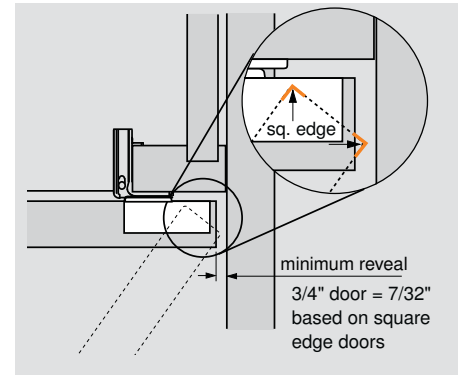




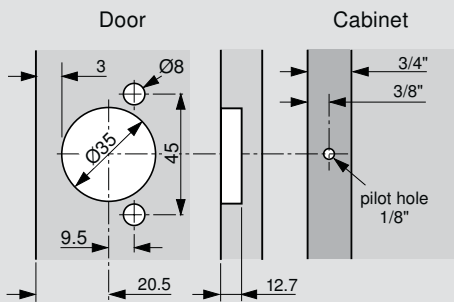
Features

- 110° opening angle
- One piece assembly
- Wraparound mount
- 1/2" cup depth
- +/- 1/8" height adjustment
- +/- 1/16" side adjustment
- +3/32", -1/32" cam depth adjustment
- Can be used with BLUMOTION 971A9700
- Steel, nickel-plated

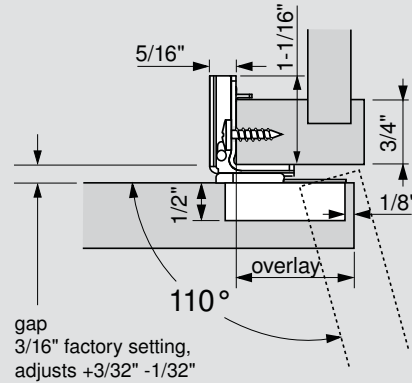
Minimum reveal



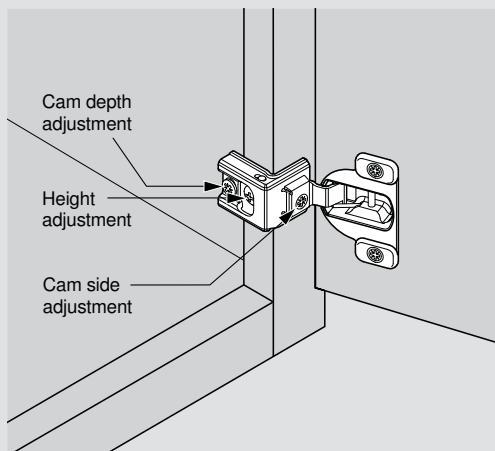
Boring pattern



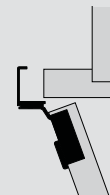
Dimensions



Adjustment



Wraparound hinges



Overlay	Screw-on	47	Press-in
1"	39C355C.16		39C358C.16
1-1/4"	39C355C.20		39C358C.20
1-5/16"	39C355C.21		39C358C.21
1-3/8"	39C355C.22		39C358C.22
1-1/2"	39C355C.24		39C358C.24
1-9/16"			39C358C.25

Installation screw

Truss head installation screw

834TH